

All the benefits at a glance

- **Reduced workload and greater comfort**
- **Easy handling:** enter the screed recipe on site, raise the semi-trailer and start pumping
- **Precision metering** of aggregates, binding agents and additives
- **Consistently high quality** incl. analysis of recipes and processed quantities
- **Data collection:** Information regarding the laying performance and recipe, including additives, can be collected and read out
- **Print receipts:** Collected data can be printed out directly from the machine using a connectable receipt printer
- **Effective advertising** with your own personal logo
- **Quality "Made in Germany"**
- **Configuration according to your requirements and needs, whether for self levelling floor screed, insulating fill or semi-dry of screed** – Expand into new business segments and acquire new customers
- **Lucrative manufacture of high-quality floor coverings**
- **High availability and extended life**
- **Amortisation in a short time due to:**
 - Significantly shorter set-up times
 - Less manpower
 - Reduction in material costs
 - Fewer incidental costs because almost no disposal of waste or residual quantities of material
 - Minimal cleaning requirements save time

Possible applications

Semi-dry floor screed

The TransMix 5500 is mixing and delivering semi-dry floor screed in plugs. Advantages include the low purchasing price of the binder and aggregate. Additive and water are metered precisely for each mix. If anyone wants to apply floor screed in a hurry can also work with quick cement.



Self levelling floor screed

The flexible configuration of troughs for aggregate and binder such as anhydrite, cement and fly ash make the TransMix 3200 ideal for all your applications. The worm pump can convey large quantities of liquid screed.



Insulation/polystyrene variants

Use of a lightweight material such as polystyrene as an aggregate requires the largest trough possible, such as the one on our TransMix 3200.



Subject to technical modifications and errors © by Putzmeister Mörtelmaschinen GmbH 2017 All rights reserved Printed in Germany (1708Sc) MT 4562-1 EN

TransMix

The original mobile screed factory



BRINKMANN
A brand of the Putzmeister Group
Max-Eyth-Strasse 10 · 72631 Aichtal · Germany
Tel. +49 7127 599-0 · Fax +49 7127 599-743
info@transmix.de · www.transmix.de



TransMix = transport, mix and pump screed fully automatically

A closed system – for your success strategy

Versatility and flexibility are required in the construction industry, especially in the screed segment. Alongside semi-dry screeds, high-quality self levelling floor screeds with calcium sulfate or cementitious binder are becoming increasingly popular. This is where the TransMix screed specialist comes to the fore. It provides a sophisticated concept on confined construction sites as well as applications with tight deadlines and high quality requirements.

... and your customers' requirements

The TransMix is a capable solution for anyone aiming to extend their range of services and reduce or keep their construction costs under control – from craftsmen with potential for expansion to (large) service providers. Construction site logistics are a significant cost factor with great potential for success.

The TransMix provides just the right solution for cramped construction sites.



Intelligent lift system with established advantages

The TransMix is designed and implemented as a lift system and offers our customers a host of important benefits:

- **Efficiency:** volume of the trough utilised to the full to achieve maximum payload
- **Economical:** optimised ratio between unladen weight and working load
- **Fuel savings:** shorter screw conveyors or conveyor belts (lower drive output required)
- **Extended life:** reduced strain on metering units
- **Superior driving characteristics:** low centre of gravity
- **Space-saving and comfortable** in dense traffic and confined spaces because the high volume of the trough enables the use of a short semi-trailer – short delivery routes – material flows automatically towards the dosing devices



Highly effective TransMix technology



Loading the aggregate

Filling the binder compartment

The fastest way to a construction site

Everything on board

Setting up the construction site

Selection of recipe



Fully automatic mixing and conveying

Placement of either self levelling floor screed (TransMix 3200) or semi-dry floor screed (TransMix 5500) – controlled by remote control

Your benefits

- All working procedures completed with a single journey and only 1 or 2 employees
- No residual sand or material losses
- Independent from the logistics of the concrete and mixer unit – no waiting times
- No disposal of construction and packaging material – possible to reload with material directly on the construction site
- No cleaning costs at site
- Precision metering of aggregates, binding agents and additives

Creating your dream machine with our modular system

4-axle chassis or semi-trailer?

We will always provide you with the right system, whether in semi-trailer or compact 4-axle chassis format. Depending on how much space is available at your site. The TransMix 8 x 4 is perfect in restricted working environments such as inner city areas, for example, because it is up to 3 m shorter and lower.

Optional accessories for a customised performance

The TransMix is already fitted with an extensive range of equipment as standard. With versatile optional equipment, you can also adapt your range of services to the needs and requirements of both you and your customers.

The TransMix offers a wealth of opportunities

Every TransMix system is unique. The TransMix 3200 for self levelling floor screed and the TransMix 5500 for semi-dry floor screed form the basis of every system. Your machine is configured for you individually according to your requirements.

1. **Self levelling floor screed** (worm pump) and/or **Pour-in insulation** or **Semi-dry floor screed** (compressed-air conveyor)
2. **Vehicle requirements (site environment, road conditions, registration criteria)**
 Semi-trailer
 8 x 4
3. **Required daily output**
 (trough size 16–30 m³*, depending on m²/day and installation thickness. Reloading with additional material not a problem)
4. **Binder and aggregate to be conveyed**
 (max. 3 compartments, total maximum volume 30 m³*)
 Calcium sulphate (anhydrite) Sand
 Cement Polystyrene
 Fly ash
5. **Compartment sizes** (logistics, reloading, recipe)
 How large must the individual compartments be to optimise consumption?
6. **Options and accessories**
 e.g. dosing devices according to material (screw conveyor or conveyor belt), additive metering unit, discharge aids (vibrator, reed valves), fibre dosing, injection, etc.

Maximum of three compartments offer versatility for your screed requirements

Compartment 1 is for aggregate (sand, polystyrene), while compartment 2 is for binder (anhydrite, cement) and can be divided vertically to create a compartment chamber. Depending on the recipe, these compartments can also be used for fly ash, for example

Split binder compartment for maximum flexibility

On request, the TransMix can be fitted with a split binder compartment for cement or anhydrite. The combination of normal cement and quick cement is easy to implement with the TransMix. This ensures that the two materials do not come into contact with one another.

Single-compartment system for premixed dry mortar

In many cases, such as premixed dry mortar applications, a single large compartment is required instead of several separate compartments, allowing the use of all types of premixed dry mortar for floor compounds.

Give us a call. Our TransMix sales team would be glad to help you to design your own personal TransMix.

* Between 16–30 m³ total volume (special sizes on request), depending on the vehicle and specific licensing regulations.

Overview of main configuration characteristics

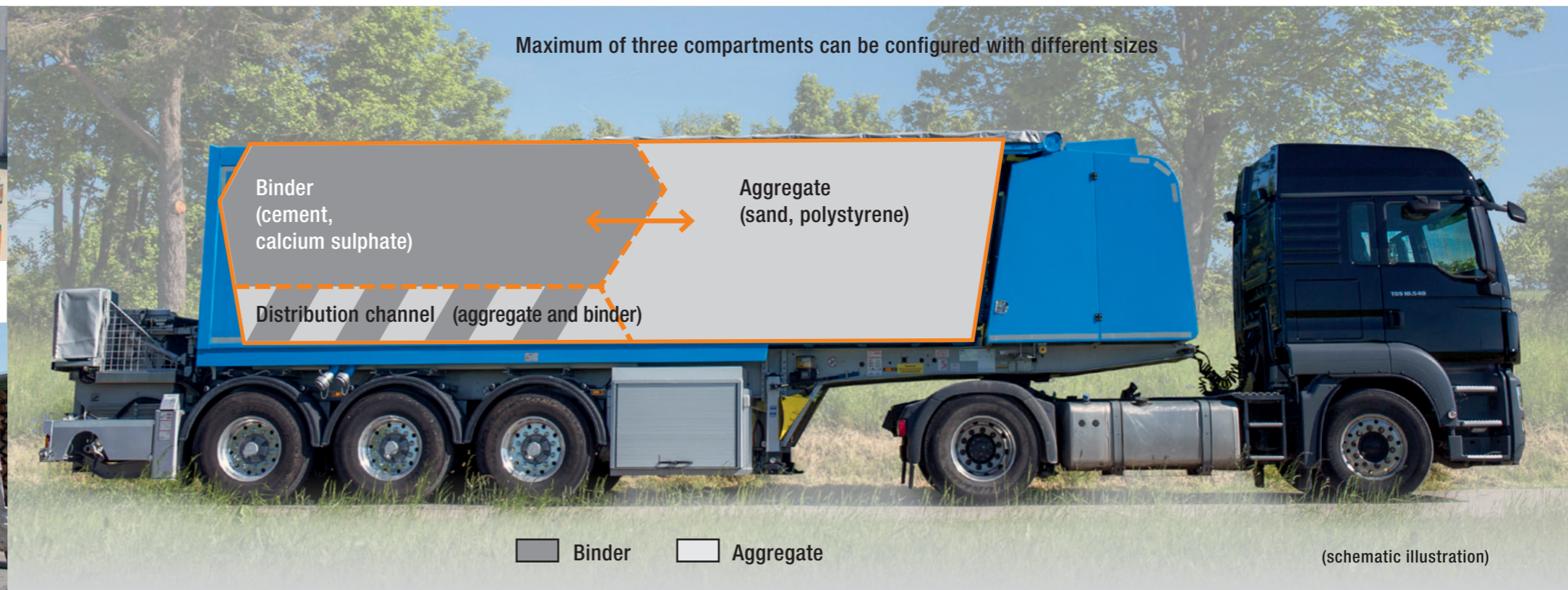
- 3200 version of the TransMix (for self levelling floor screed) with worm pump or 5500 version of the TransMix (for semi-dry floor screed) with compressed-air conveyor
- Both variants as a semi-trailer or with compact 4-axle chassis
- Aluminium trough divided into specific aggregate and binder compartments (max. 3 compartments with total maximum volume 30 m³*)
- Type of aggregate and binder injection
- Sliding roof type
- and many more



Semi-dry floor screed – mixing chamber with compressed-air conveyor (TransMix 5500)



Self levelling floor screed – mixer, feed hopper and worm pump (TransMix 3200)



Maximum of three compartments can be configured with different sizes

(schematic illustration)

Everything on board – contributing to your success

Chassis – manoeuvrable, ideal driving characteristics

- Designed for site use, durability and value retention



Central lubrication system – regular maintenance extends service life

- Continuous maintenance of mixing and pumping technology for semi-trailer and axle chassis
- Maximum service life

Compact motor compartment – free hand for service work

- All drive components are easily accessible
- Robust hydraulic system ensures maximum reliability



Additive metering unit – quality is no coincidence

- Simple connection of concrete additives
- Automatic metering using stored recipes



Customised trough – greater efficiency with the modular system

- External injection lines for an unobstructed material flow
- Binder and insulation (polystyrene) are reloaded without interrupting work
- Extra flexibility - compartments can be filled horizontally or vertically
- Vibrator and ventilation valves create a perfect material flow
- Internal lining on side walls
- Inliner for polystyrene, pneumatic filling by filler neck



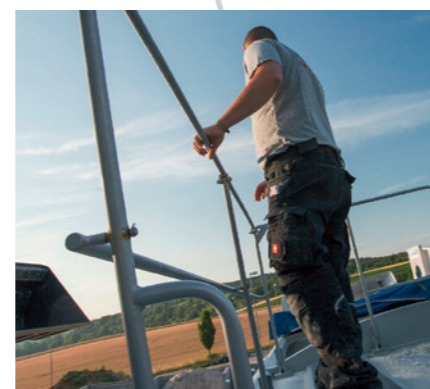
Short, effective delivery routes

- Low quantities of residual material
- Quick and convenient cleaning with additional drainage opening on the dosing screws for quick material changes



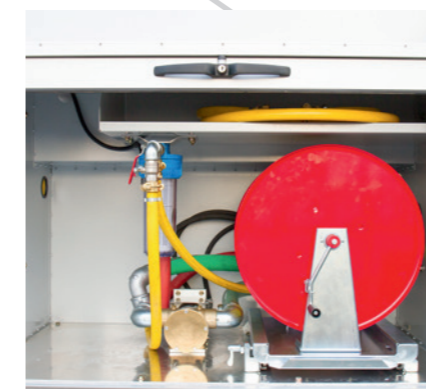
Convenient keypad

- Store up to 16 recipes
- Edit recipe names
- Input bulk densities
- 12 available languages
- Collect data
- Print receipts



Focus on safety at work

- Safety railings along the steps and working area around the trough
- Walkway to sand chamber fitted with ladder and railing



Storage – space and protection in one

- Water hose drum for storing and protecting water supply pipe
- Two locking compartments (right and left) provide ample storage
- High-quality aluminium roller shutters for greater durability



Hose drum – convenience off the roll

- Hydraulic drive makes work easier
- Convenient set-up at the construction site
- Safe transportation of 100 m hose in the power pack



Power generator – power means independence

- Work on the construction site without an external power source

Self levelling floor screed and insulation – TransMix 3200



- Self levelling calcium sulphate floor screed
- Cement based floor screed
- Pour-in insulation
- Self-levelling compound
- Foam concrete

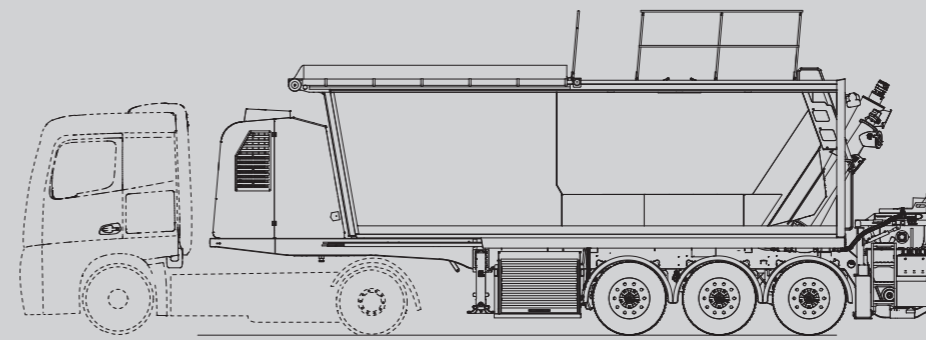
TransMix 3200 for self levelling floor screed

A **powerful worm pump** supplies a permanent flow of material to the placement site. It conveys self levelling floor screed with a maximum particle size of 12 mm at up to 18 m³ an hour. Automatic metering of materials ensures that the screed quality remains constant throughout the entire delivery process. The inliner can fill polystyrene pneumatically by the filler neck.

	TransMix 3200 semi-trailer			TransMix 3200 8 x 4
Pump	Worm pump			Worm pump
Delivery pressure	max. 35 bar			max. 35 bar
Delivery rate (theor.)**	max. 18 m ³ /h			max. 18 m ³ /h
Delivery range**	200 m horizontal, 80 m vertical			200 m horizontal, 80 m vertical
Maximum grain size	12 mm			12 mm
Engine	Diesel engine (Stage 3B)			Diesel engine (Stage 3B)
Weight (empty)	approx. 10-11 t, without tractor unit			approx. 14 t, with tractor unit
Water load capacity*	1 000 l			800 l
Aggregate/binder/volume* (max. trough volume)	23 m ³	25 m ³	30 m ³	16-17 m ³
Length	10.2 m	10.8 m	10.8 m	10.6 m
Width	2.53 m	2.53 m	2.53 m	2.53 m
Height	3.5 m	3.5 m	4.0 m	3.26 m

* Special sizes on request. Fluid capacities depend on the country and licensing regulations as well as the vehicle and trough configuration!

** Data is based on experience and depends on the materials used



(schematic illustration)

Sample configuration – vehicle can be used both for pour-in polystyrene insulation as well as liquid screed – split binder chamber allows the addition of anhydrite or cement-based screed without changing the material

- Trough volume 30 m³
- 14 m³ of aggregate
- Binder compartment split into two smaller 8 m³ compartments



Self levelling floor screed

- Self levelling – consistence can be changed on site by radio control
- Maximum of three additives dosed automatically
- Recipe and placement quantity documented



Pour-in insulation

- Processing large volumes – ideal for high placement heights, above electric power and supply lines
- Reloading material without interrupting work
- Convenient on-site operation by remote control
- Low weight of polystyrene for maximum utilisation of large trough



Placement of calcium sulphate based self levelling floor screed in a detached house using a TransMix



Site with polystyrene pour-in insulation



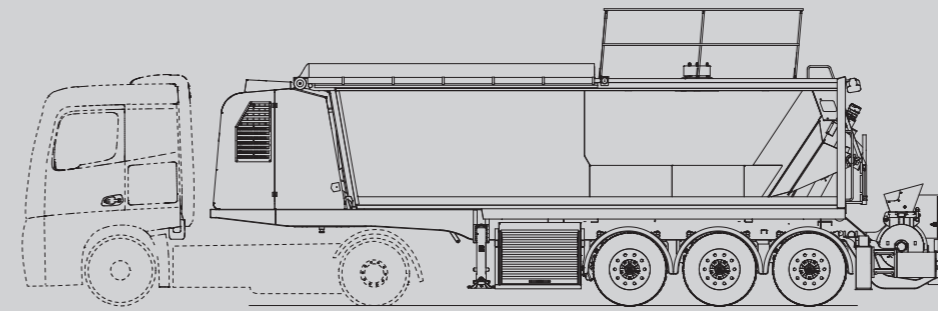
Semi-dry floor screed – TransMix 5500



- Cement screed
- Calcium sulphate screed
- Magnesia screed

TransMix 5500 for semi-dry floor screed

The **powerful compressed-air conveyor** on the TransMix 5500 conveys material with a maximum particle size of 16 mm. It can be configured individually, leaves the construction site completely clean and sets new standards in mixing and processing quality on the semi-dry floor screed market.



(schematic illustration)

A splitted binder compartment allows the manufacture of calcium sulphate screed, for example, while a second compartment contains cement for wet rooms and cellars – all in the same TransMix. In this configuration example, the vehicle is used exclusively to manufacture semi-dry floor screed with a single binder compartment.

- Trough volume 25 m³
- 19 m³ of aggregate
- Binder compartment 6 m³

Semi-dry floor screed

- No physical workload for the machine operator
- No contamination from quantities of residual material
- Consistently high mixing and material quantity
- Convenient on-site operation by remote control



	TransMix 5500 semi-trailer			TransMix 5500 8 x 4
Pump	Compressed-air conveyor			Compressed-air conveyor
Delivery pressure	max. 8 bar			max. 8 bar
Delivery rate (theor.)**	max. 5 m ³ /h			max. 5 m ³ /h
Delivery range**	180 m horizontal, 90 m vertical			180 m horizontal, 90 m vertical
Maximum grain size	16 mm			16 mm
Engine	Diesel engine (Stage 3B)			Diesel engine (Stage 3B)
Weight (empty)	approx. 10-11 t, without tractor unit			approx. 14 t, with tractor unit
Water load capacity*	120 l			120 l
Aggregate/binder/volume* (max. trough volume)	23 m ³	25 m ³	30 m ³	16-17 m ³
Length	10.2 m	10.8 m	10.8 m	10.6 m
Width	2.53 m	2.53 m	2.53 m	2.53 m
Height	3.5 m	3.5 m	4.0 m	3.26 m

* Special sizes on request. Fluid capacities depend on the country and licensing regulations as well as the vehicle and trough configuration!

** Data is based on experience and depends on the materials used

Our service team – only the best for your TransMix

Expertise in technology and service – our After Sales department

In terms of consultation, maintenance, repair and spare parts procurement, our TransMix service is just as good as our machines. Just in cases our professionals can

be quickly at your place and help you with any technical questions you may have. Whether you own a machine from our current range or a "vintage model", we will give you qualified answers whenever you need it. We would also be pleased to take time for a more detailed consultation.



Service directly from the manufacturer

- TransMix service hotline: +49 7127 599-699 Our service technicians will pay you a visit as soon as possible!
- You can also contact us by email to discuss your concern: PMTservices@pmw.de